

## Features

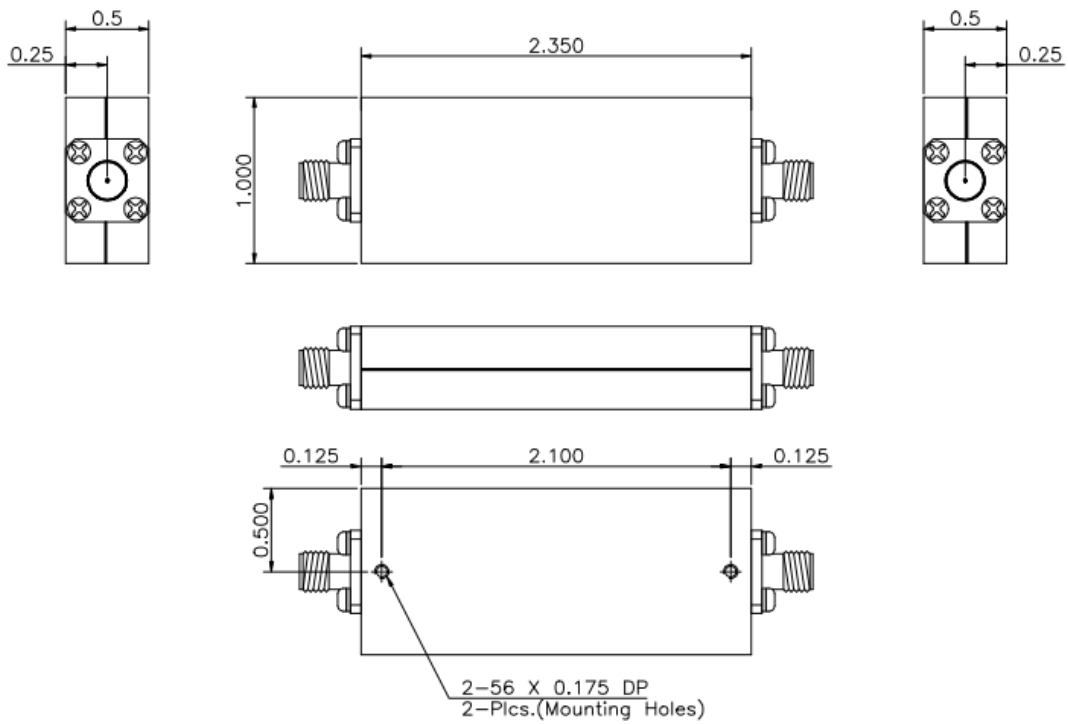
- Ultra Wide Band Cavity Band Pass Filter( 102 % )
- Very compact size and low weight
- Military EMS, EMC applications



## Specifications

Parameter	Specifications	Remarks
Frequency Range	2,000 ~ 6,160 MHz	BW : 4,160 MHz
Center Frequency	4,080 MHz	
Insertion Loss (Max.)	1.2 dB	
VSWR (Max.)	1.5 : 1	
Rejection (Min.)	50 dBc @ 9 kHz ~ 1,450 MHz	
	50 dBc @ 6,840 MHz ~ 20.0 GHz	
In/Out Impedance	50 Ω Nominal	
Handling Power (Max.)	CW 2 W	
Operating Temperature	-30℃ ~ +65 ℃	
Dimensions	1.0 * 2.35 * 0.5 inch	Excluding Connectors
Connector	SMA(F)	

# Outline drawing



Unit : inches

# Typical Response

