

Features

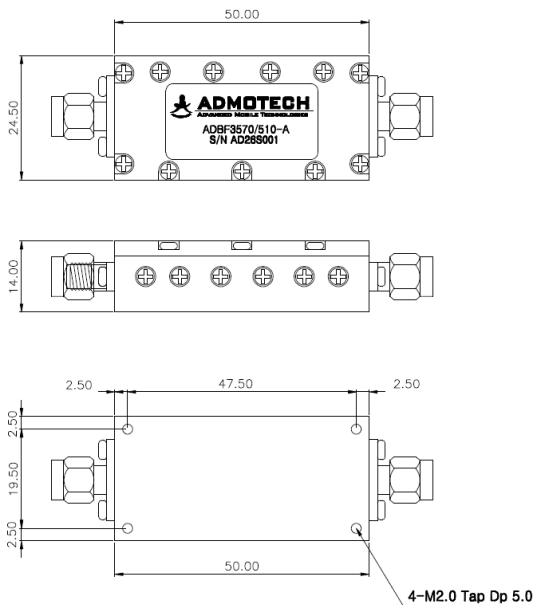
- Cavity Band Pass Filter (3,315 MHz ~ 3,825 MHz)
- Very compact size and low weight
- Typical 0.3 dB Insertion Loss



Specifications

Parameter	Specifications	Remarks
Frequency Range	3,315 ~ 3,825 MHz	BW : 510 MHz
Center Frequency	3,570 MHz	
Insertion Loss (Max.)	1.0 dB	
Pass Band Ripple (Max.)	0.5 dB	
Return Loss (Min.)	18.0 dB	
Rejection (Min.)	50 dBc @ 2,400 MHz	
	50 dBc @ 4,300 MHz	
In/ Out Impedance	50 Ω	
Handling Power (Max.)	CW 10 W	
Operating Temperature	-40 °C ~ +85 °C	
Dimensions	50 * 24.5 * 14 mm	Excluding Connectors
Connector	SMA (Male)	

Outline drawing



Typical Response

