

Features

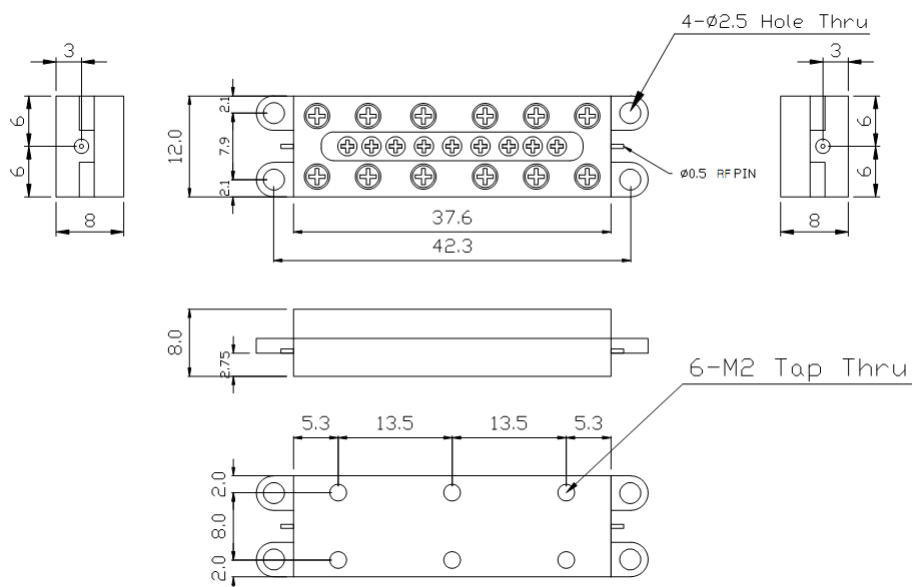
- Ka-band Cavity Band Pass Filter
- Very compact size and low weight
- Typical 2.6 dB Insertion Loss



Specifications

Parameter	Specifications	Remarks
Frequency Range	27,525 ~ 28,325 MHz	BW : 800 MHz
Center Frequency	27,925 MHz	
Insertion Loss (Max.)	3.0 dB	
Pass Band Ripple (Max.)	0.5 dB	
Return Loss (Min.)	15.0 dB	
Rejection (Min.)	50 dB @ 26.1 GHz	
In/ Out Impedance	50 Ω	
Handling Power (Max.)	CW 1 W	
Operating Temperature	-20 °C ~ +85 °C	
Dimensions	37.6 * 12 * 8 mm	Excluding Connectors
Connector	Pin Type	

Outline drawing



Typical Response

