

Features

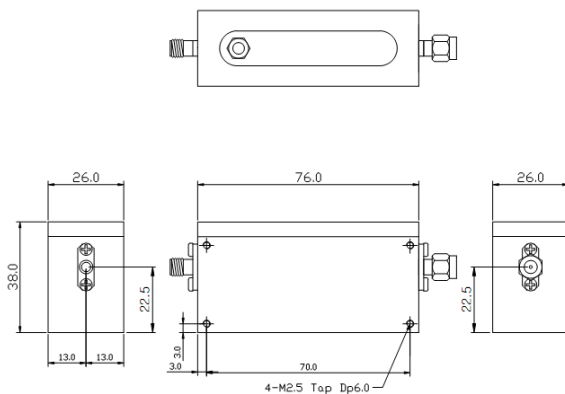
- Cavity Band Pass Filter
- Very compact size and low weight
- Typical 0.3 dB Insertion Loss



Specifications

Parameter	Specifications	Remarks
Frequency Range	2,124 ~ 2,394 MHz	BW : 270 MHz
Center Frequency	2,259 MHz	
Insertion Loss (Max.)	0.5 dB	
Pass Band Ripple (Max.)	0.3 dB	
Return Loss (Min.)	15 dB	
Rejection (Min.)	45 dBc @ 1,854 MHz	
	25 dBc @ 1,989 MHz	
	25 dBc @ 2,529 MHz	
	45 dBc @ 2,664 MHz	
In/ Out Impedance	50 Ω	
Handling Power (Max.)	CW 50 W	
Operating Temperature	-40 °C ~ +85 °C	
Dimensions	76 * 26 * 38 mm	Excluding Connectors
Connector	SMA(F) to SMA(M)	

Outline drawing



Typical Response

