

## Features

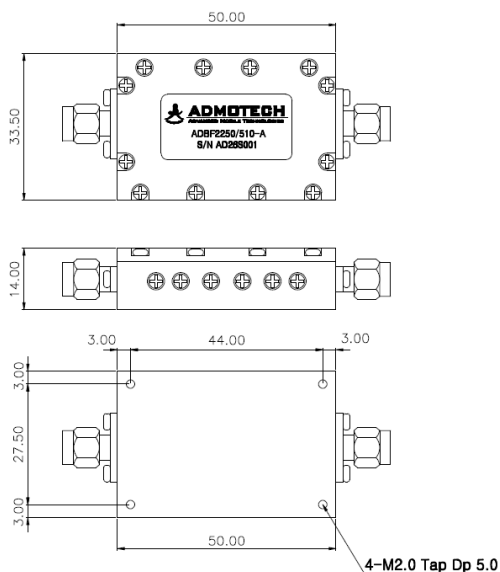
- Cavity Band Pass Filter (1,995 MHz ~ 2,505 MHz)
- Very compact size and low weight
- Typical 0.4 dB Insertion Loss



## Specifications

Parameter	Specifications	Remarks
Frequency Range	1,995 ~ 2,505 MHz	BW : 510 MHz
Center Frequency	2,250 MHz	
Insertion Loss (Max.)	1.0 dB	
Pass Band Ripple (Max.)	0.5 dB	
Return Loss (Min.)	18.0 dB	
Rejection (Min.)	30 dBc @ Fc ± 600 MHz	
In/ Out Impedance	50 Ω	
Handling Power (Max.)	CW 10 W	
Operating Temperature	-40 °C ~ +85 °C	
Dimensions	50 * 33.5 * 14 mm	Excluding Connectors
Connector	SMA (Male)	

## Outline drawing



## Typical Response

