

### Features

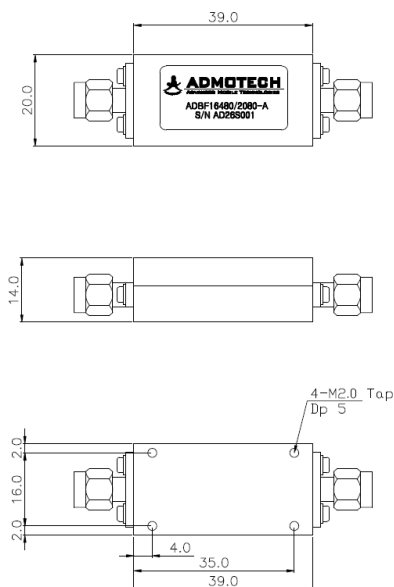
- Cavity Band Pass Filter (15.44 GHz ~ 17.52 GHz)
- Very compact size and low weight
- Typical 0.7 dB Insertion Loss



### Specifications

Parameter	Specifications	Remarks
Frequency Range	15,440 ~ 17,520 MHz	BW : 2,080 MHz
Center Frequency	16,480 MHz	
Insertion Loss (Max.)	1.0 dB	
Pass Band Ripple (Max.)	0.5 dB	
Return Loss (Min.)	15.0 dB	
Rejection (Min.)	50 dBc @ 12.32 GHz	
	50 dBc @ 19.6 GHz	
In/ Out Impedance	50 Ω	
Handling Power (Max.)	CW 10 W	
Operating Temperature	-40 °C ~ +85 °C	
Dimensions	39 * 20 * 14 mm	Excluding Connectors
Connector	SMA (Male)	

### Outline drawing



### Typical Response

