

### Features

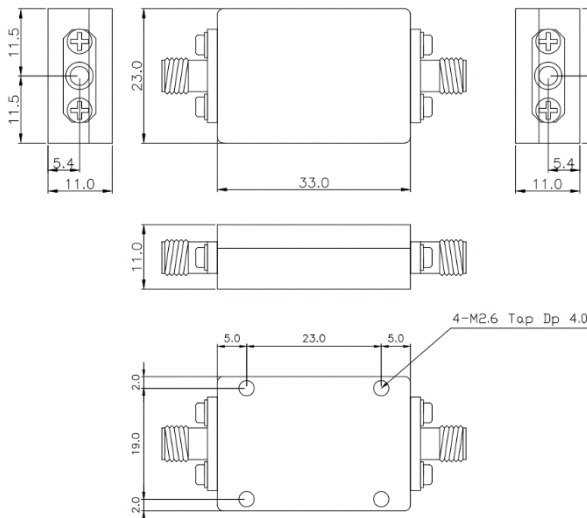
- Wide Band Cavity Band Pass Filter (40%)
- Very compact size and low weight
- Typical 0.3 dB Insertion Loss



### Specifications

Parameter	Specifications	Remarks
Frequency Range	12,000 ~ 18,000 MHz	
Center Frequency	15,000 MHz	
Bandwidth	6,000 MHz	
Insertion Loss (Max.)	0.6 dB	
Pass Band Ripple (Max.)	0.4 dB	
Return Loss (Min.)	11.7 dB Min. (1.7:1 VSWR)	
Rejection (Min.)	35 dBc @ 22,000 MHz	
In/ Out Impedance	50 Ω	
Handling Power (Max.)	CW 1 W	
Temperature Range	-20 ~ +85 °C	
Dimensions	23.0 * 33.0 * 11.0 mm	Excluding Connectors
Connector	SMA (Female)	

### Outline drawing



### Typical Response

