

Features

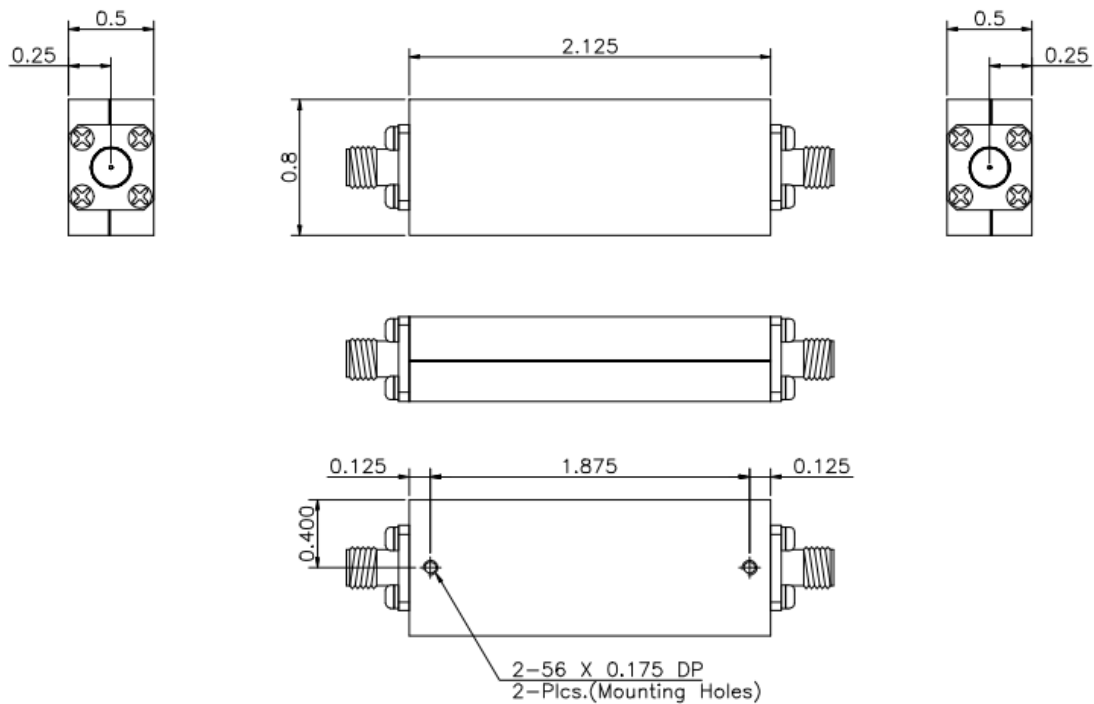
- Ultra Wide Band Cavity Band Pass Filter(100 %)
- Very compact size and low weight
- Military EMS, EMC applications



Specifications

Parameter	Specifications	Remarks
Frequency Range	6.0 GHz ~ 18.16 GHz	BW : 12,16 GHz
Center Frequency	12.08 GHz	
Insertion Loss (Max.)	1.5 dB	
VSWR (Max.)	1.5 : 1	
Rejection (Min.)	50 dBc @ 9 kHz ~ 5.23 GHz	
	50 dBc @ 19.5 GHz ~ 24.0 GHz	
In/Out Impedance	50 Ω Nominal	
Handling Power (Max.)	CW 2 W	
Operating Temperature	-30℃ ~ +65 ℃	
Dimensions	0.8 * 2.125 * 0.5 inch	Excluding Connectors
Connector	SMA(F)	

Outline drawing



Unit : inches

Typical Response

