



# DROP-IN ISOLATOR

## 1800 ~ 2500 MHz

# ADI215CET(700)

### Features

- 11dB typical Isolation, 0.80dB typical Insertion Loss at room temperature.
- Custom products available with alternate configurations such as attenuators, high power terminations, reverse circulation etc.
- Designed for Wireless Telecommunications Systems.
- RoHS Compliant

### Options

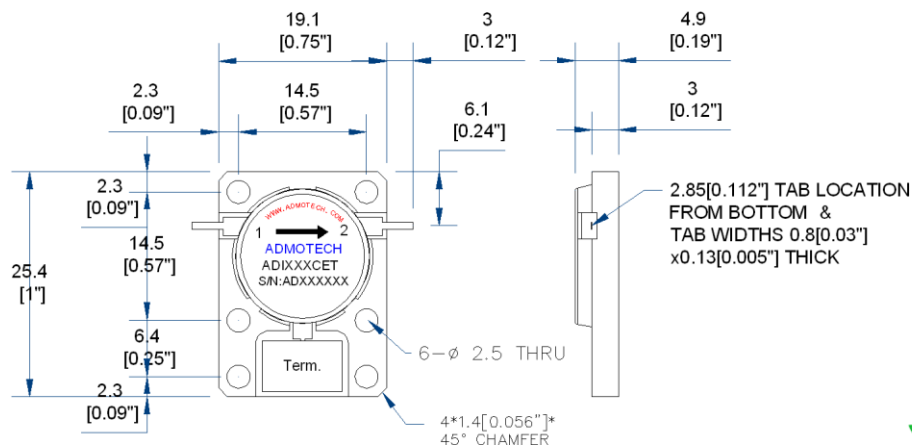
The customers can choose as follows

- Direction : Clockwise(Default) or Counter Clockwise.
- T : Termination, A3 : -30dB Attenuator for detection, A2 : -20dB Attenuator for detection

### Electrical Characteristics

Parameter	Units	Specifications
Frequency	MHz	1800 ~ 2500
Insertion Loss	dB Max.	1.15
Isolation	dB Min.	9
VSWR	Max.	2.32 : 1
Temperature	°C	- 30 ~+85
REV Power	W Max.	150/100
Input/Output Impedance	Ω	50

### Mechanical Dimension



Package Size : CE

Unit: mm[inch]  
Tolerance: ±0.2mm

Option Type : T

Direction:Clockwise Default



If you do not find appropriate frequency range, Please contact with sales@admotech.com