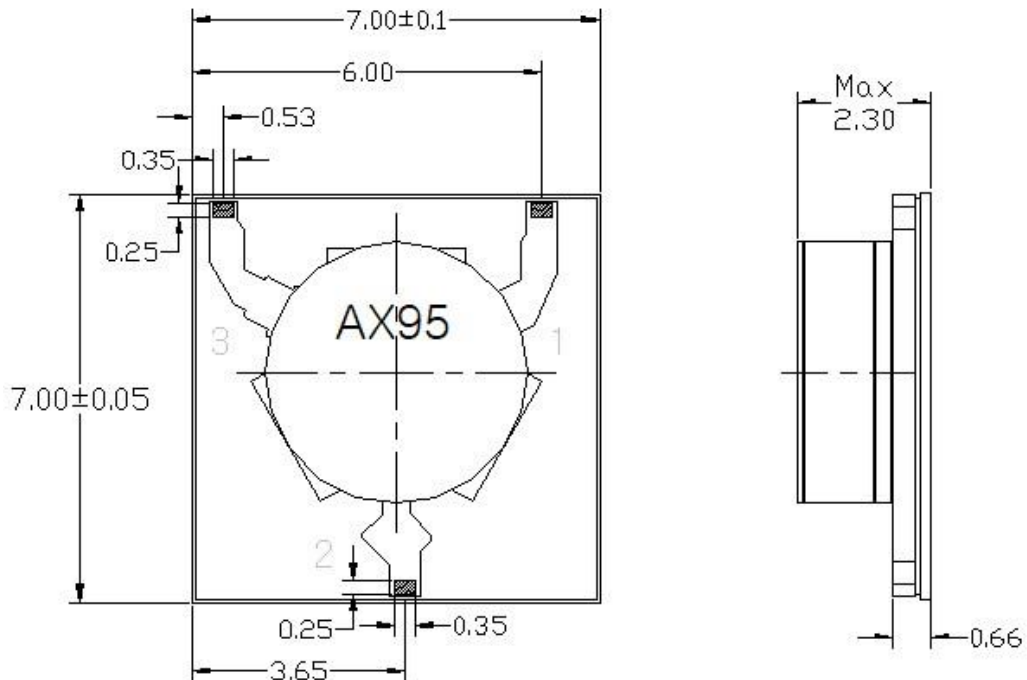


**X-BAND MICROSTRIP CIRULATOR****AX95****Features**

- Low Insertion Loss
- High Isolation
- Custom Design Available
- Lead Free

Electrical Characteristics

Parameter	Units	Specifications
Frequency	GHz	9.0 ~10.0
Insertion Loss	dB Max.	0.40dB
Return Loss	dB Min.	18.0dB
Isolation	dB Min.	18.0dB
Operating Temperature	°C	-40 ~ +85
Power FWD./REV.	W Max.	10/10
Direction		CW

Dimensions

NOTES:

3*WIRE BONDABLE AREA

Assembly: $+20^{\circ}\text{C} \sim +125^{\circ}\text{C}$

Direction : Clockwise

[UNIT:MM]

[Tolerance: $\pm 0.1\text{MM}$]