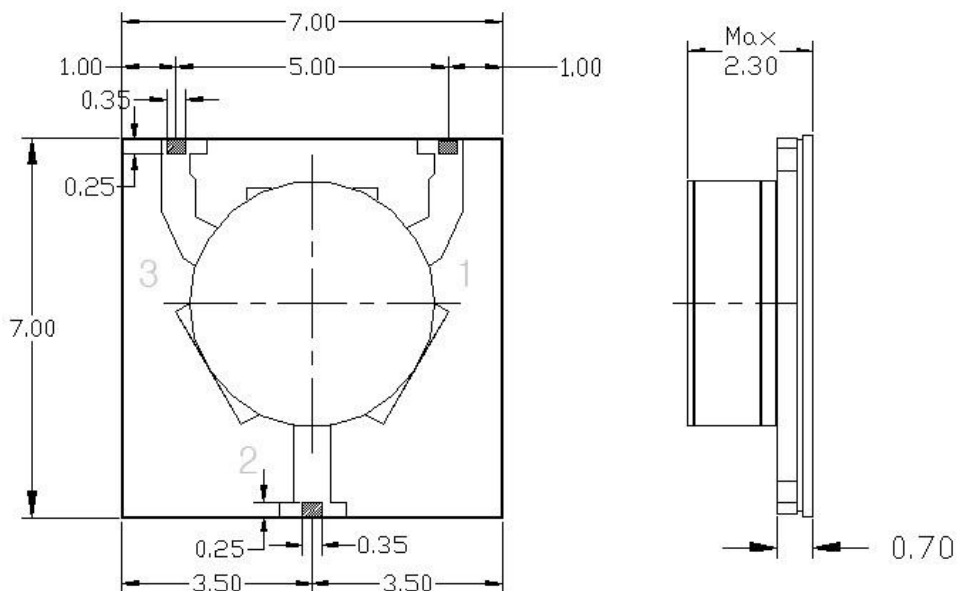


**X-BAND MICROSTRIP CIRULATOR****AX85****Features**

- Low Insertion Loss
- High Isolation
- Custom Design Available
- ROHS Compliant
- Lead Free

**Electrical Characteristics**

Parameter	Units	Specifications
Frequency	GHz	8.4 ~8.7
Insertion Loss	dB Max.	0.40dB
Return Loss	dB Min.	18.0dB
Isolation	dB Min.	18.0dB
Temperature	°C	- 40 ~+85
Power	W Max.	10
Direction		CW

Dimensions

NOTES:
 3*WIRE BONDABLE AREA
 Assembly: +20°C~+125°C
 Direction : Clockwise

[UNIT:MM]
 [Tolerance: ±0.1MM]