



ADMOTEC

Advanced Mobile Technology

1320,Gwanpyoung-dong,Yoosung-Gu,Taejon,305-509, Korea
Tel :+82-42-936-1353 Fax :+82-42-936-1350

ADMOTEC 0.5INCH SMD CIRULATORS 2500~2700MHz

ADS260LE(200)

Features

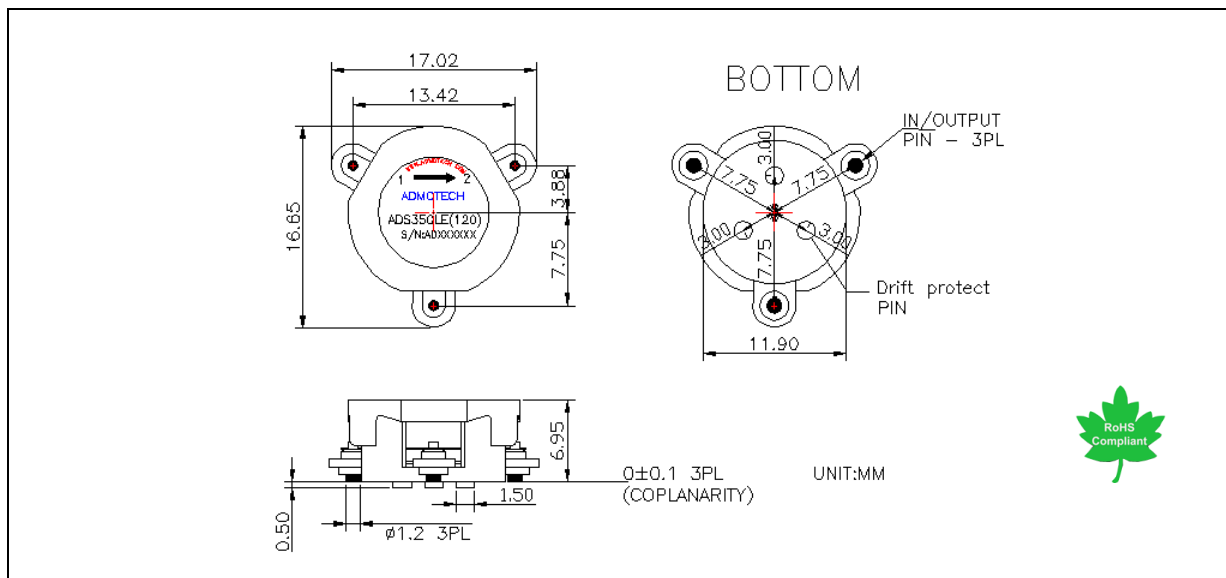
- Low Insertion Loss
- Custom Design Available
- ROHS Compliant
- High Isolation
- Standard Reflow Processing
- Lead Free



Electrical Characteristics

Parameter	Units	Specifications
Frequency	MHz	2500 ~2700
Insertion Loss	dB Max.	0.30dB max. (Room) 0.40dB max. (Temp.)
Return Loss	dB Min.	20dB min. (Room) 17dB min. (Temp.)
Isolation	dB Min.	20dB min. (Room) 17dB min. (Temp.)
Temperature	°C	- 40 ~+125
Power FWD / REV.	W Max.	100/100
Input/Output Impedance	Ω	50
Direction		CW

Mechanical Dimensions



If you do not find appropriate frequency range, please contact with sales@admotech.com