

**ADMOTEC**

Advanced Mobile Technology

1320,Gwanpyoung-dong,Yoosung-Gu,Taejon,305-509, Korea  
Tel :+82-42-936-1353 Fax :+82-42-936-1350

## ADMOTEC 0.75INCH SMD CIRULATORS

**2110~2170MHz****ADS214KE(60)**

### Features

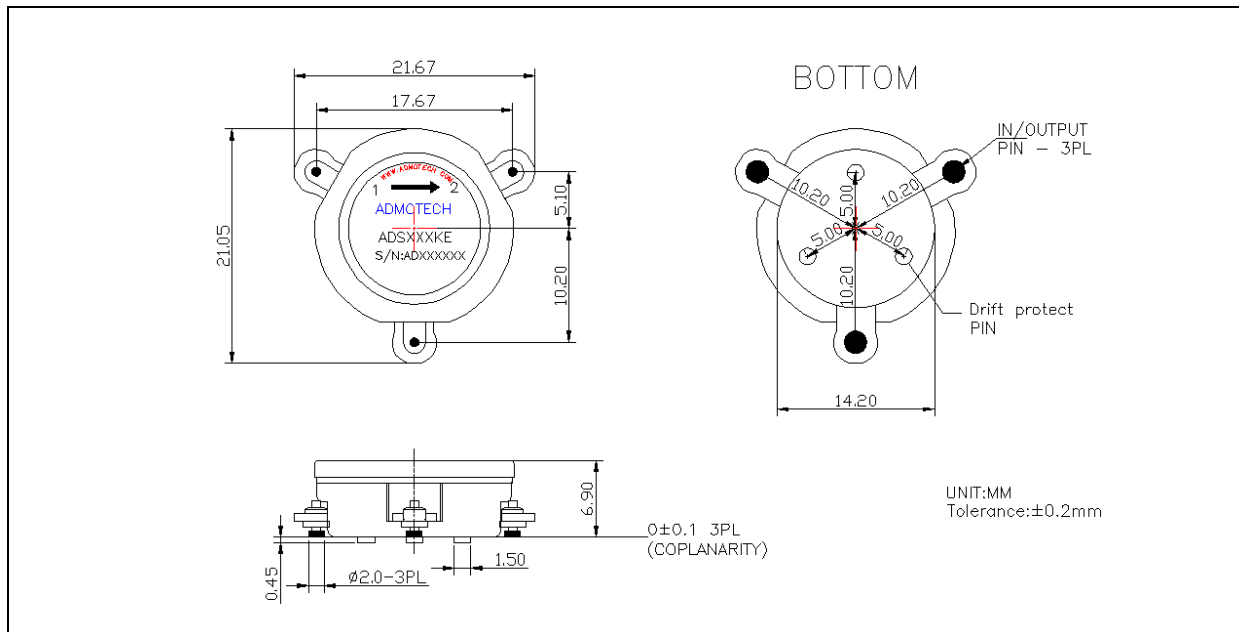
- Low Insertion Loss
- Custom Design Available
- ROHS Compliant
- High Isolation
- Standard Reflow Processing
- Lead Free



### Electrical Characteristics

Parameter	Units	Specifications
Frequency	MHz	2110 ~2170
Insertion Loss	dB Max.	0.30dB
Return Loss	dB Min.	19dB
Isolation	dB Min.	20dB
Temperature	°C	- 30 ~+85
Power FWD / REV.	W Max.	100/100
Input/Output Impedance	Ω	50
Direction		CW

### Mechanical Specifications



If you do not find appropriate frequency range, please contact with [sales@admotech.com](mailto:sales@admotech.com)