



Waveguide C-band Circulator

5.6~5.7 GHz

ADC565WR187(100)

Features

- Low insertion loss
- Robust design for shock and vibration
- RoHS Compliant

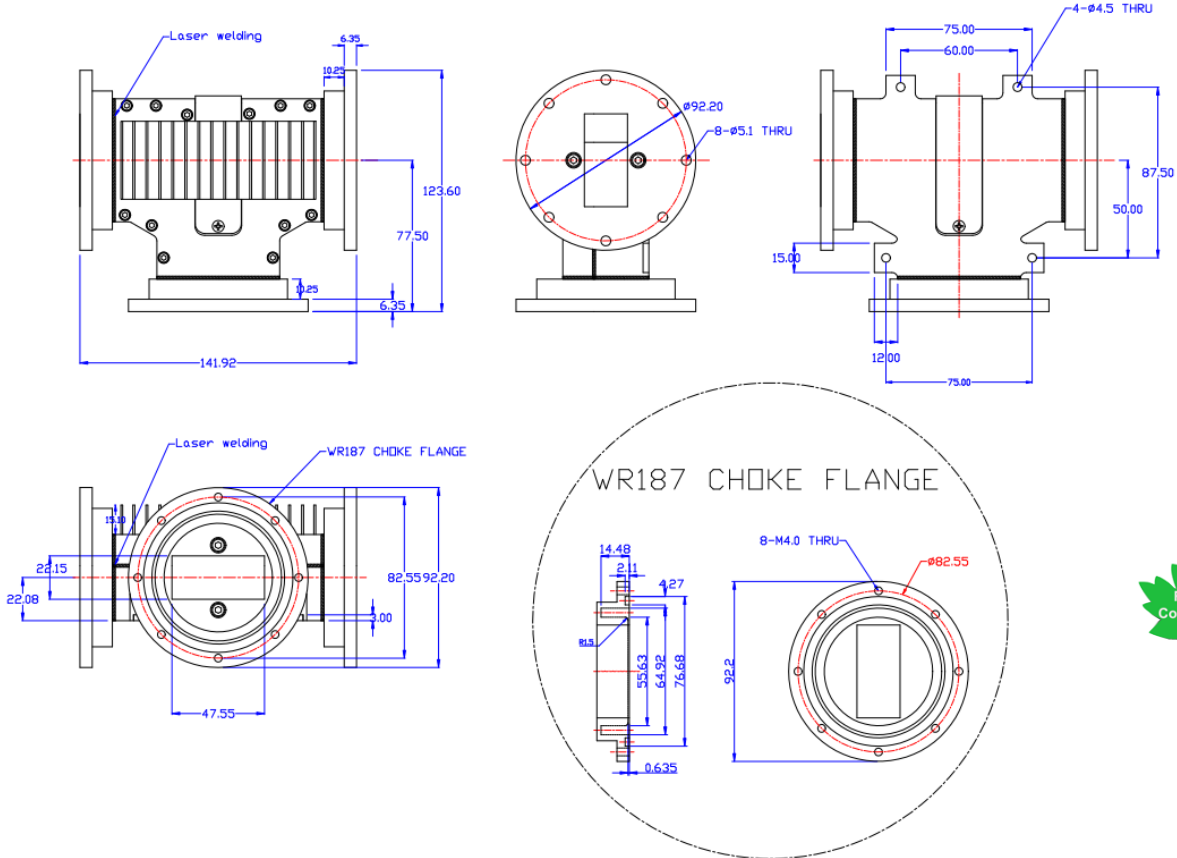
Electrical Characteristics

Parameter	Units	Specifications
Frequency	GHz	5.6~5.7
Insertion Loss	dB Max.	0.2
Isolation	dB Min.	21
VSWR	Max.	1.22 : 1
Temperature	°C	-30 ~ +50
Power FWD.	W Max.	900W (Peak 9kW)
Waveguide Package	-	WR187
Direction		CW

Environmental Specifications

Parameter	Specification Limit	Comments
Waveguide Pressure	300hPa	
Pressure Leakage	15hPa over 1 hour	

Mechanical Dimensions



If you do not find appropriate frequency range, please contact with sales@admotech.com