



# DROP-IN Circulator

## 885 ~ 915 MHz

## ADC090BD

### Features

- 23dB typical Isolation, 0.25dB typical Insertion Loss at room temperature.
- Custom products available with alternate configurations such as attenuators, high power terminations, reverse circulation etc.
- Designed for Wireless Telecommunications Systems.
- RoHS Compliant

### Options

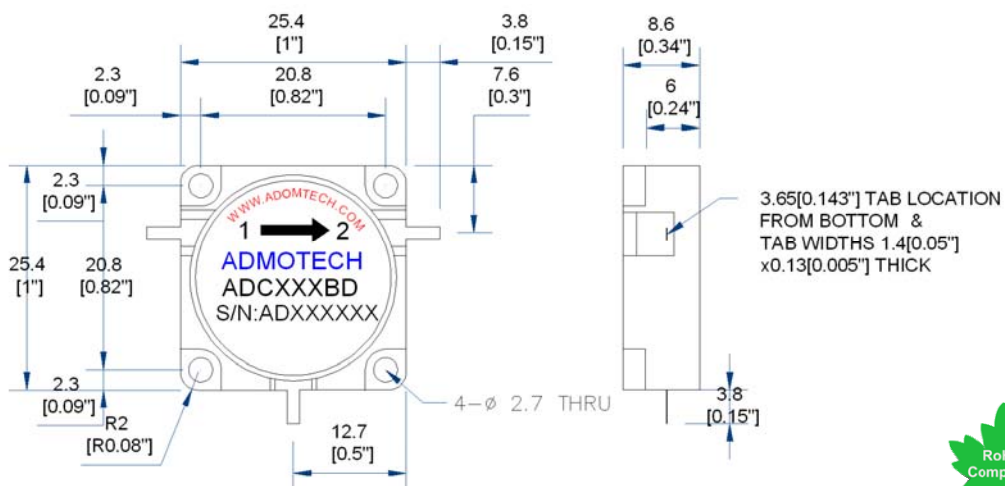
The customers can choose as follows

- Direction : Clockwise(Default) or Counter Clockwise.

### Electrical Characteristics

Parameter	Units	Specifications
Frequency	MHz	885 ~ 915
Insertion Loss	dB Max.	0.35
Isolation	dB Min.	21
VSWR	Max.	1.25 : 1
Temperature	°C	- 30 ~ +85
FDW./REV. Power	W Max.	150/100
Input/Output Impedance	Ω	50

### Mechanical Dimensions



Package Size : BD  
 Option Type : none  
 Direction:Clockwise Default

Unit: mm[inch]  
 Tolerance: ±0.2mm

If you do not find appropriate frequency range, Please contact with sales@admotech.com